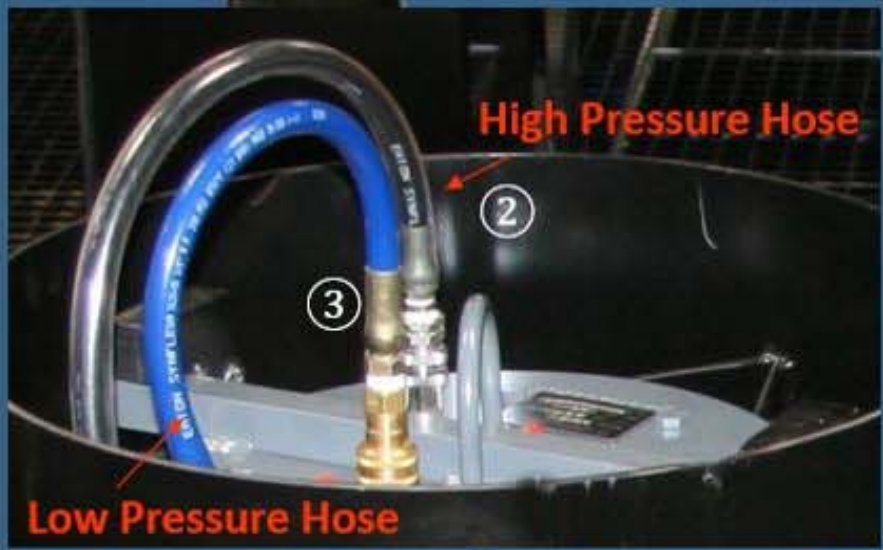
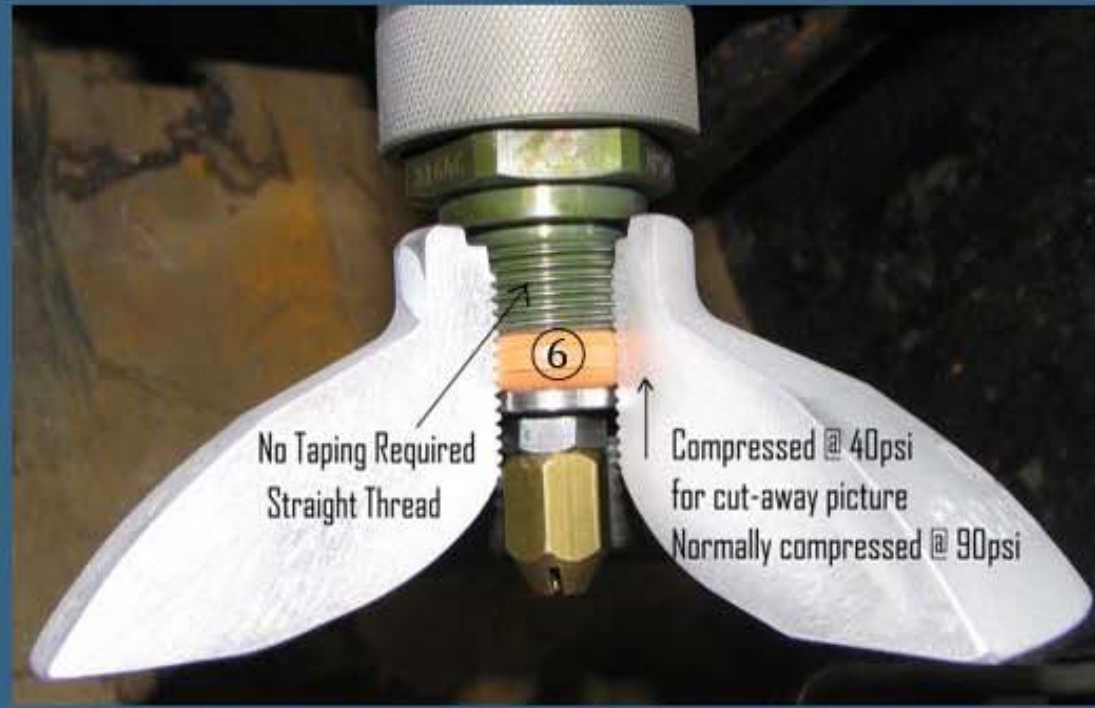
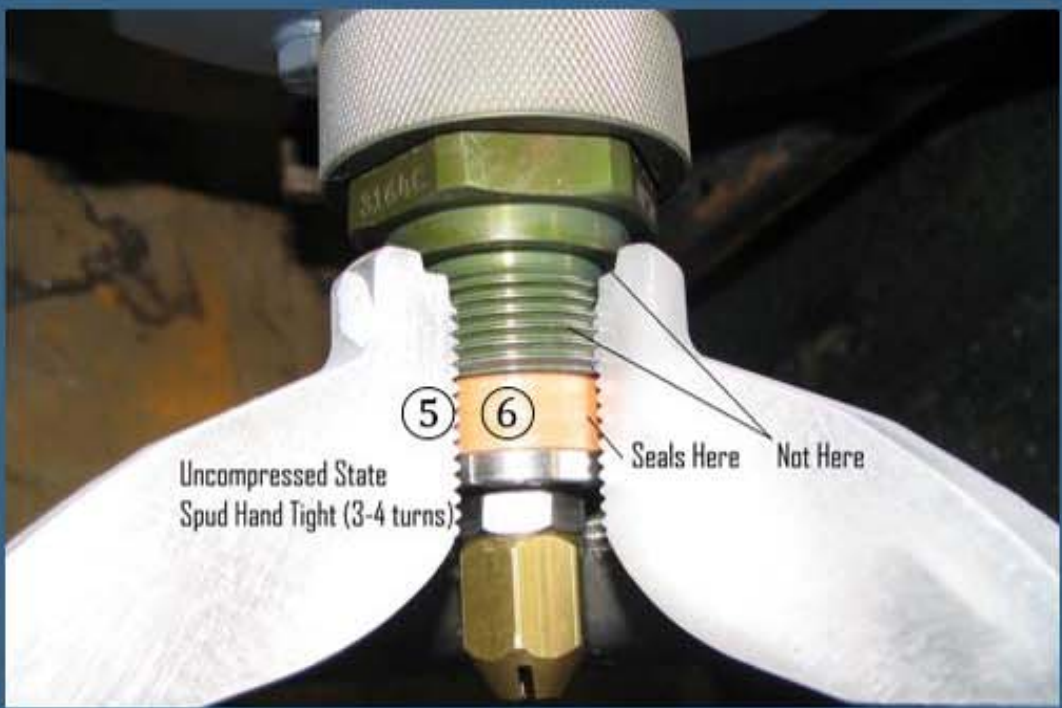
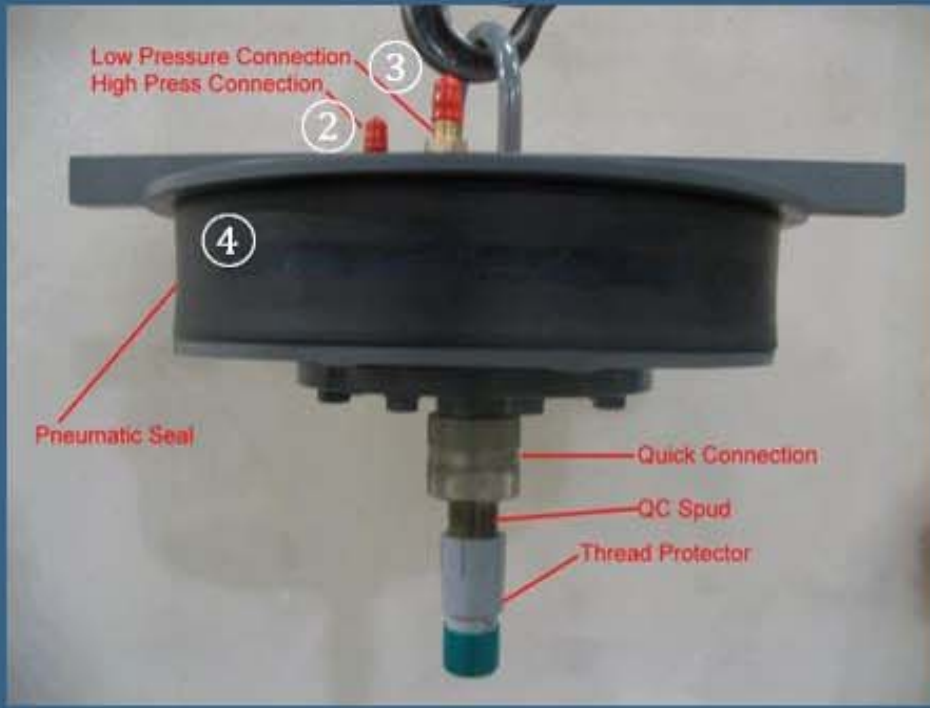


- ① The Test Head connects to the cylinder through the spud.
- ② High pressure connection allows for pressurizing the cylinder to required PSI (up to 11,000psi).
- ③ Low Pressure connection is designed to reduce the set-up time for testing by pneumatically sealing the head to the test jacket at the pneumatic boot ④, and sealing the cylinder test connection with speed seals at the cylinder threads ⑤. This eliminates the need to Teflon tape each connection to the cylinder. The spud turns in 3-4 turns (enough to lift the cylinder) with Straight or Tapered threads, then seals automatically⑥.



Test heads come as the original "H" (threaded) ⑦ spud configuration or "G" style configuration ⑧. "G" Style allows you to swap thread sizes quickly.



Seals the cylinder test connection with speed seals at the cylinder threads when Low Pressure Hose is applied



This "G" style uses a quick-connect spud that allows you to change the cylinder side thread in as little as 20 seconds. With the "G" style you have a direct connection to the cylinder rather than using an adapter. This minimizes leak points and wear you would normally see when adapting a spud to fit different cylinder neck threads.

















Test Head Connection



Spud Uses Speed Seal

H-Style

G-Style

-  **.75"**
01-32-3159
-  **.89"**
01-32-2534
-  **1.01"**
01-32-2549
-  **1.09"**
01-32-2537
-  **1.46"**
01-32-2550
-  01-32-3158
-  01-32-2535
-  01-32-2547
-  01-32-2538
-  01-32-2548A
-  **.56"**
01-32-2382
-  **.600"**
01-32-2400
-  **.656"**
01-32-2531A
-  01-32-2379
-  01-32-2401A
-  01-32-2532



Air Requirements...90PSI (Head Seal)
Test Pressure..... Up To 10,000 PSI



Adapter
No Speed Seal



G-style

01-41-3163 Straight Thread Spud kit

Galiso Test Head comes with standard 3/4" NPT cylinder connection with Galiso patented "Speed Seal". This kit is for 3/4"NPSM, 1 1/8"-12, 7/8"-14 and 3/4"-16 Straight Thread cylinder connection with properly sized Speed Seal and Spud Washer.

01-41-4652A Tapered Thread Spud Kit

This kit is for 1/2"NPT and 1"NPT cylinder connection with properly sized Speed Seal and Spud Washer.

G-style Spud sizes and seals (partial list)

Test Spuds



22 Ponderosa Ct

Montrose, CO 81401

www.galiso.com (800)854-3789

H-style



This H-Style Spud kit is for 1/2"NPT and 1"NPT cylinder connection with properly sized Speed Seal and Spud Washer.

H-style Spud sizes and seals (partial list)

Part Number	Cylinder Side Thread =>	Seal	Spud Washer	Part Number	Cylinder Side Thread =>	Seal	Spud Washer
01-32-2846	.50" NPT	01-32-2531A	01-32-2532	01-31-2349	PZ27.8	01-32-2534	01-32-2535
01-31-2455C	.715 Whitworth BS 341	01-32-2400A	01-32-2401A	01-31-2350C	W28.8" X 1/14" Taper DIN 477	01-32-2534	01-32-2535
01-31-2369	.75" - 14 NGT	01-32-2549	01-32-2547	01-31-2364B	.75" - 14 NGT 24Thds Oversize	01-32-2549	01-32-2547
01-31-2367B	JIS B 8241 - V1	01-32-2400a	01-32-2401A	01-32-2530	1/2" NGT	01-32-2532	01-32-2531
01-31-2368B	JIS B 8241 -V2	01-32-2534	01-32-2535	01-32-2533HT	3/4" NGT	01-32-2534	01-32-2535
01-32-2499C	.75" NPT (1 Turn Oversize)	01-32-2534	01-32-2535	01-32-2536	1" NGT	01-32-2537	01-32-2538
01-32-2530E	.50" NPT (1 - 2 Turns Under Basic)	01-32-2531A	01-32-2532	01-31-3114	.875-14 UNF	01-32-3159	01-32-3158
01-32-2533F	.75" - 14 SGIT (1.500"Ft. Taper)	01-32-2534	01-32-2535				
01-32-2536G	1.00" NPT (1 - Turns Under Basic)	01-32-2537	01-32-2538				
01-32-2837E	.715" - 14 TPI Whitworth BS 341	01-32-2400A	01-32-2401A				

Adapters: We stock adapters for most cylinder neck threads. Custom Adapters can be made upon request

GTHK Galiso Test Head Tool Kit

The THTK, Galiso Test Head Tool Kit includes everything you'll need to maintain and repair your test head. Galiso Part Number 68-54-1925

Includes:

01-51-2700 Open Face, Head Test Kit - Allows you to check internal lines and stem for leak prior to assembly of diaphragm



68-11-1927 Wrench, Torque, 3/8" Drive



68-11-1928 Wrench, Check Nut, 1-1/2" Fractional, SAE to hold Pressurization Adapter



68-11-1929 2ea, Wrench, Jam Nut, 9/16", Ultra thin, Black Oxide



68-11-1930 Socket, Shallow, Test Head Bolt, 6-Point



68-31-1899 HBIT, Head Boot Install Tool



68-31-1926 Socket for Head Stem Installation 3/8" Drive x 6"



68-41-1860 Assembly, Wrench, Spanner, 2-1/4", w/Extension



****See Repair VIDEO****

Test band (Not included in tool Kit)



01-61-2676, 12"

01-61-2675, 14"

01-61-2617, 18"

01-61-2961, 24"

