
GALISO SOAP OPTION FOR PCT-ADW-D

Installation and Operation Instructions



MANUAL NUMBER 21-11-1008

Rev A

Issued March 2016

Copyright 2016 - Galiso, Incorporated
22 Ponderosa Ct., Montrose, CO 81401
(970) 249-0233 (800) 854-3789
www.galiso.com



!!!DANGER!!!

**DO NOT USE THIS EQUIPMENT TO
PURGE TOXIC OR FLAMMABLE GAS**

AND

**DO NOT USE THIS EQUIPMENT UNDER
FLAMMABLE, VOLATILE OR TOXIC
ENVIRONMENTAL CONDITIONS**

TABLE OF CONTENTS

Section/Title	Page
1.0 Kit Parts	1-1
2.0 Installation.....	2-1

ILLUSTRATIONS

Title	Page
Soap Option Kit, Parts.....	1-1
Item A: Valve and Hex Bushing.....	2-1
Item B: Bronze Piston Valve Assembly	2-1
Item C: Check Valve, Hex Bushing and Tube Fitting	2-2
Item D: Soap Option Valve.....	2-2
Item E: 3/32" O.D. Tubing	2-3

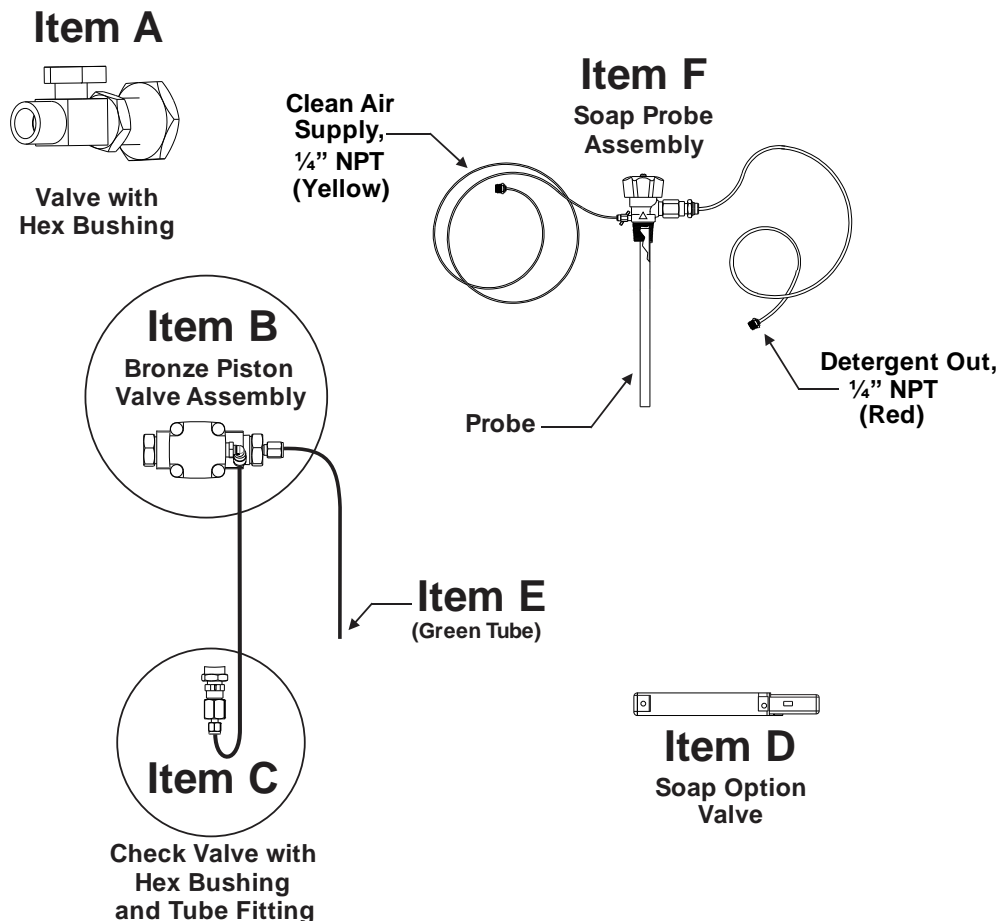
Read all instructions before attempting to install or operate this machine. GALISO, INCORPORATED IS NOT RESPONSIBLE FOR DAMAGE OR INJURY CAUSED BY UNSAFE USE, MAINTENANCE, APPLICATION, MODIFICATION OR IMPROPER INSTALLATION OF THIS MACHINE. Please contact Galiso, Inc. at 1-800-854-3789 for guidance when you are in doubt as to the proper safety precautions to be taken when installing or operating this machine.

Receiving and Placement

- A. Carefully unpack the Soap Option Kit and inspect the items for any damage or missing parts. Report any issues to Galiso, incorporated before installing on the PCT.

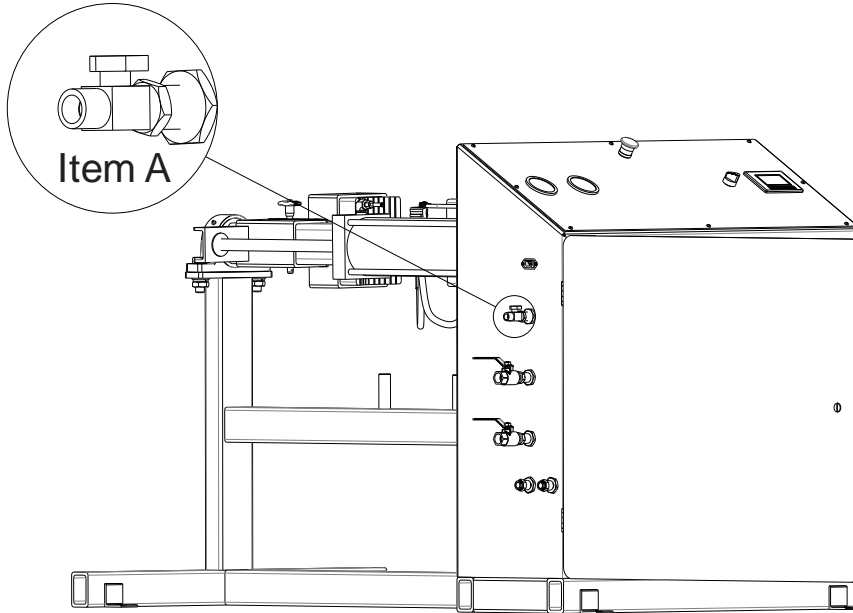
1.0 Kit Parts

- A. Valve and hex Bushing
- B. Bronze Piston Valve Assembly
- C. Hex Bushing, Check Valve and Tube Fitting
- D. Soap Option Valve
- E. 5/32" O.D. green Tubing (18" Length)
- F. Soap Probe

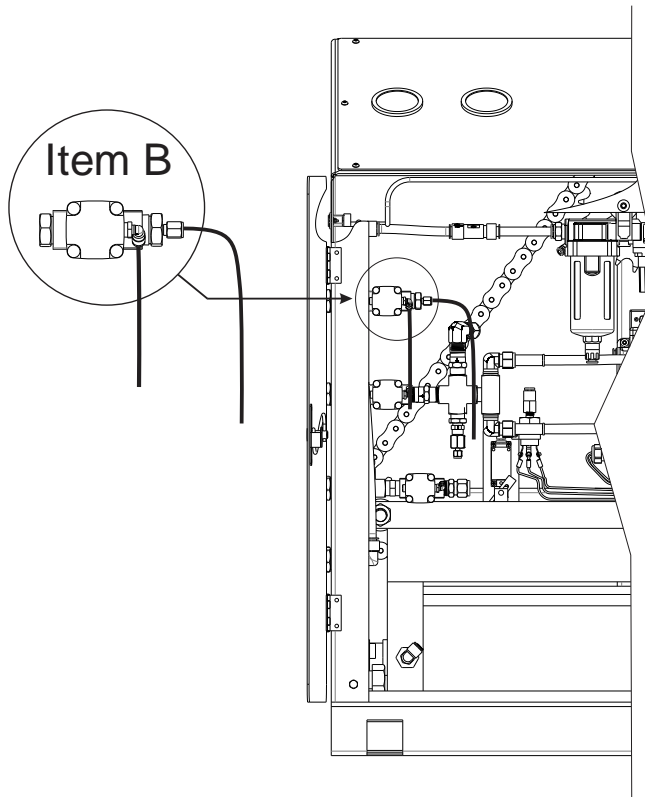


2.0 Installation

- A. Install the Valve and Hex Bushing (item A) onto the left side of the PCT enclosure where indicated.

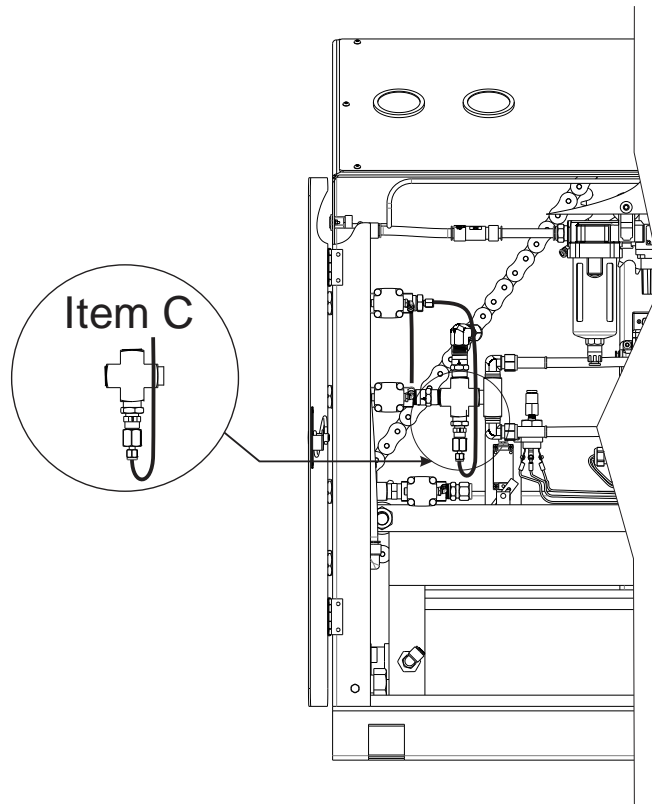


- B. Install the Bronze Piston Valve Assembly (item B) on the inside of the enclosure.

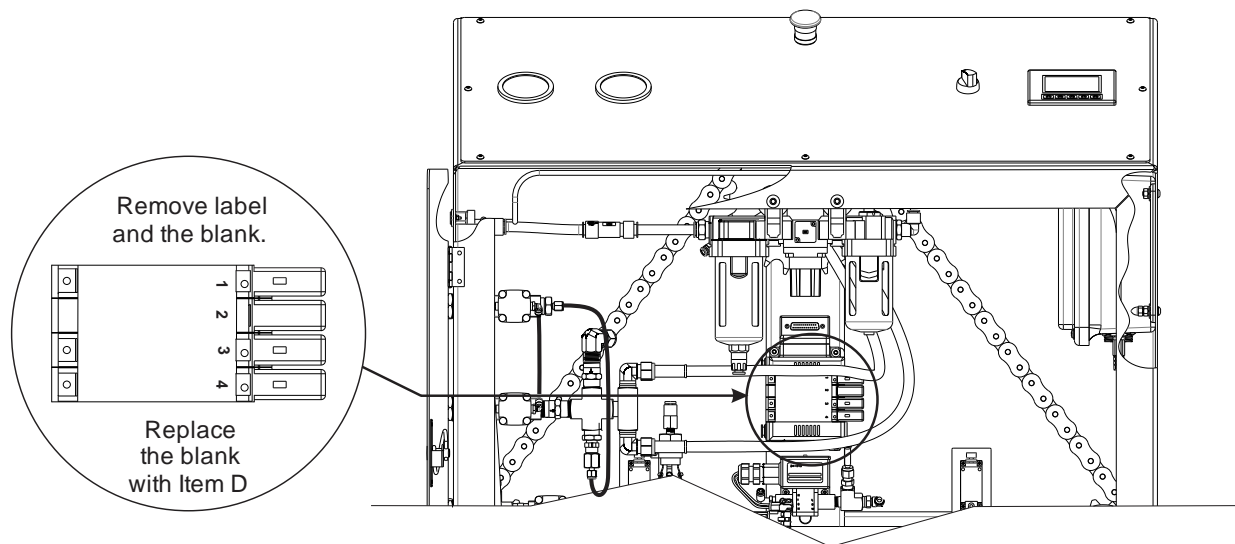


2.0 Installation, continued

- C. Remove the plug from the bottom of the Brass Cross and replace with item C (Hex Bushing, Check Valve and Tube Fitting).

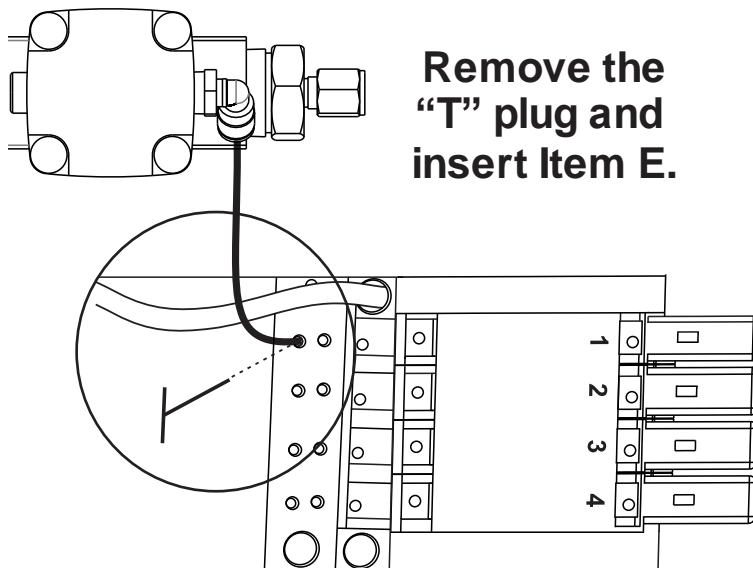


- D. Remove the Valve Stack Cover. Locate the Blank located in slot two and loosen the single Mounting Screw. The Blank should now lift out easily. Replace with the Soap Option Valve (item D).



2.0 Installation, continued

- E. Remove the 5/32" plug from the Valve Stack Port for slot two. Insert the free end of the 5/32" O.D. green tube (item E) into this Port.



- F. Fill the Cylinder with a suitable, oxygen compatible detergent or cleaning solution. The level of the detergent should be 6" below the bottom of the threads in the Cylinder Neck. Use an oxygen compatible, liquid degreaser, water soluble soap such as SD-13. SD-13 is available from Galiso, Incorporated at (800) 854-3789 or visit the website at www.galiso.com.

NOTE: Certain types of detergents and cylinder cleaning solutions are not compatible with aluminum cylinders. Galiso, Inc. recommends using a steel cylinder as the Detergent Reservoir.

Put Teflon tape around the threads on the Probe and screw into the neck of the Detergent Reservoir Cylinder.

- G. Install the Soap Probe (item F) into a clean, low pressure Cylinder with a 3/4" NPT neck opening. The bottom of the Dip Tube may need to be trimmed prior to installation. The length of the Dip Tube should allow approximately 3" between the end of the Dip tube and the bottom of the cylinder (after fully installed in the Cylinder Neck).

2.0 Installation, continued

- H. Fill the Cylinder with a suitable, oxygen compatible detergent or cleaning solution. The level of the detergent should be 6" below the bottom of the threads in the Cylinder Neck. Use an oxygen compatible, liquid degreaser, water soluble soap such as SD-13. SD-13 is available from Galiso, Incorporated at (800) 854-3789 or visit the website at www.galiso.com.
- I. Put Teflon tape around the threads on the Probe and screw into the neck of the Detergent Reservoir Cylinder.
- J. Make certain the Soap/Water Control Valve and the Air In Control Valve, on the probe, are in the closed position.
- K. Connect the Clean Air In Tubing (Yellow) on the Probe to a clean, filtered air source. This air source should have a contaminant level less than 0.03 parts per million. The Detergent Reservoir Clean Air Supply Line can originate from the clean air source supplying the PCT. A filter system is available from Galiso, Inc. which will clean the air to a contaminant level of 0.01 parts per million. The Detergent Reservoir Clean Air Supply Line should be equipped with a regulator, set at 80 psi.
- L. Connect the Detergent Out Supply Line (Red) on the Probe, to the Detergent In Port on the side of the PCT Shroud.
- M. Open the Air In Control Valve and allow the Detergent Reservoir to build pressure. Open the Soap/Water Control Valve on the Probe.

NOTE: It may be necessary to adjust the amount of detergent flow for the size of cylinders that are being serviced. If the cylinders are consistently dirty after cleaning, open the Soap/Water Control Valve slightly. If a detergent residue remains after rinsing, slightly close the Soap/Water Control Valve.

- N. With the power to the PCT turned on and a Cylinder loaded into the Clamp Arms, select Manual Mode (F5), then Clamp (F1), and then Invert (F4).

2.0 Installation, continued

O. After the Cylinder has been inverted, the following menu will show:



P. Press Soap (or F2) to begin the Soap (Detergent/Water mix) spray into the Cylinder. When in Manual Mode, each selection is a toggle switch either ON or OFF. Press Soap or F2 to turn on and off the Soap Injection.

NOTE:

At any point when SOAP is selected, a combination of both detergent and hot water will be injected. Only the word "SOAP" is displayed.

Q. Proceed with standard PCT operations, referring to instruction manual 21-11-1009 for digital versions or 21-11-1007 for older units with a keypad.

1. **DURATION:** Galiso provides a one-year warranty from date of purchase, to the original purchaser, for standard products, unless otherwise specified. For all spare parts purchases, Galiso provides a 90-day warranty unless otherwise specified. Soft goods such as our speed seals, and O-rings, which are subject to wear in the normal course of operation, are not covered under this warranty.
2. **COVERAGE:** Galiso manufactured equipment is warranted against defective materials or workmanship. THIS WARRANTY IS VOID IF:

A) THE EQUIPMENT HAS BEEN DAMAGED BY ACCIDENT OR UNREASONABLE USE, IMPROPER SERVICE/MAINTENANCE, IMPROPER INSTALLATION, ABNORMAL OPERATING CONDITIONS, NEGLIGENCE, REPAIR BY ANY PERSON NOT AUTHORIZED BY GALISO, INC. OR OTHER CAUSES NOT RELATED TO MATERIAL DEFECTS OR WORKMANSHIP.

B) THE SERIAL NUMBER HAS BEEN ALTERED OR DEFACED.

3. **PERFORMANCE:** Galiso reserves the right to make warranty determination only after inspecting the item at the Galiso manufacturing facility. If the warranty determination indicates that the defective item is covered under warranty, the item will be repaired or replaced with the same parts/items or parts/items of equivalent quality, at the option of Galiso. In the event of replacements, the replacement unit will continue under the original equipment warranty or carry a 90-day warranty, whichever is longer. No charge will be made for warranty repairs, and/or replacements. All freight charges to and from Galiso Inc. or a Galiso Inc. authorized repair facility, are the responsibility of the customer requesting warranty service.

If the warranty determination indicates that the item is **not** covered by warranty, a repair/replacement cost estimate will be submitted to the customer/purchaser for approval prior to initiating any repair work.

4. **CLAIMS:** In the case of equipment malfunction, notify Galiso (1-800-854-3789) and provide the Model Name, Model Number, Serial Number and a description of the problem. Return Authorization Number, shipping and/or service information will be provided on receipt of the required information.
5. **SERVICE EQUIPMENT:** Galiso attempts to make available, whenever possible, a limited amount of service equipment at a minimal use charge, plus freight expense, for those customers wishing to avoid downtime during repair of their equipment. Such items are available on a first come, first served basis and are billable at the specific service charge applying with a one-month minimum.
6. **MODEL CHANGES:** Galiso reserves the right to make changes in materials and specifications, without notice. Galiso may offer, for a stipulated fee, the opportunity to upgrade your equipment to the latest configuration.
7. **DISCLAIMERS:** Galiso provides technical data and assistance to aid customers in the selection and use of our products. There are no implied warranties of merchantability nor suitability for a particular purpose associated with the transmittal of technical data and/or customer assistance.

Galiso does not assume liability for any consequential, incidental, or special damages. Liability under this warranty is limited to repairing, or replacing Galiso equipment items returned to the factory or an authorized facility.

8. **COMPUTER AND NETWORK VIRUS PROTECTION:** Galiso Inc. equipment, which utilizes internet access, comes equipped with a subscription to virus protection software. It is the responsibility of the equipment owner to maintain this virus protection subscription or other virus protection at their cost. Current virus subscriptions are mandatory to maintain the benefits of this warranty. Galiso does not assume liability for any or all damages related to or are the result of internet or network failure or malware or computer viruses or any other type of internet or network malfunction or attack.