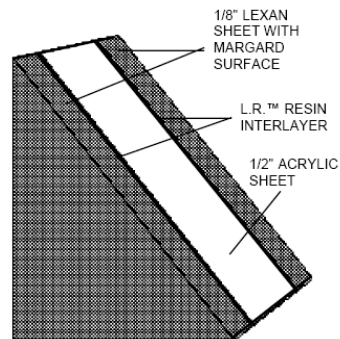


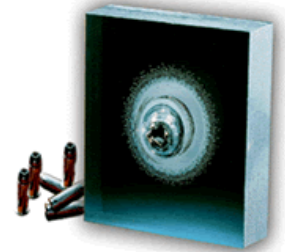
## 14-41-0660

The GVM Safety Shield is a bolt on accessory for your valving machine.

Made from bullet resistant Lexgard Lexan the safety shield bullet resistant properties have been field tested by our Quality Assurance Team. The High Impact Safety Shield was able to contain a .44 Magnum projectile from the distance of 10 Feet.



LEXGARD LAMINATE MP-750



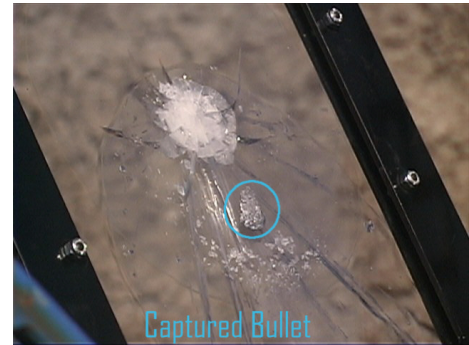
- Complies with the requirement of HPW-TP-0500.00 for Level B-Ballistic material (9mm) handgun; Level I-Forced-entry material.
- Complies with the requirements of ASTM F1233-93 for: .38 Super bullet resisting protection.
- Recognized by Underwriters Laboratories as providing Level 1 (9mm) protection per UL Standard 752.

### **.44 Magnum**

Safety Shield Test Video: <http://www.galiso.com/Videos/mp4Videos/GVMSafetyShieldFieldTest.mp4>



Safety Shield Impact Segment



Successful Test

The only safe way to de-valve a cylinder is to verify it is not under pressure. Instructions on this easy to perform operation are available at [www.galiso.com](http://www.galiso.com)